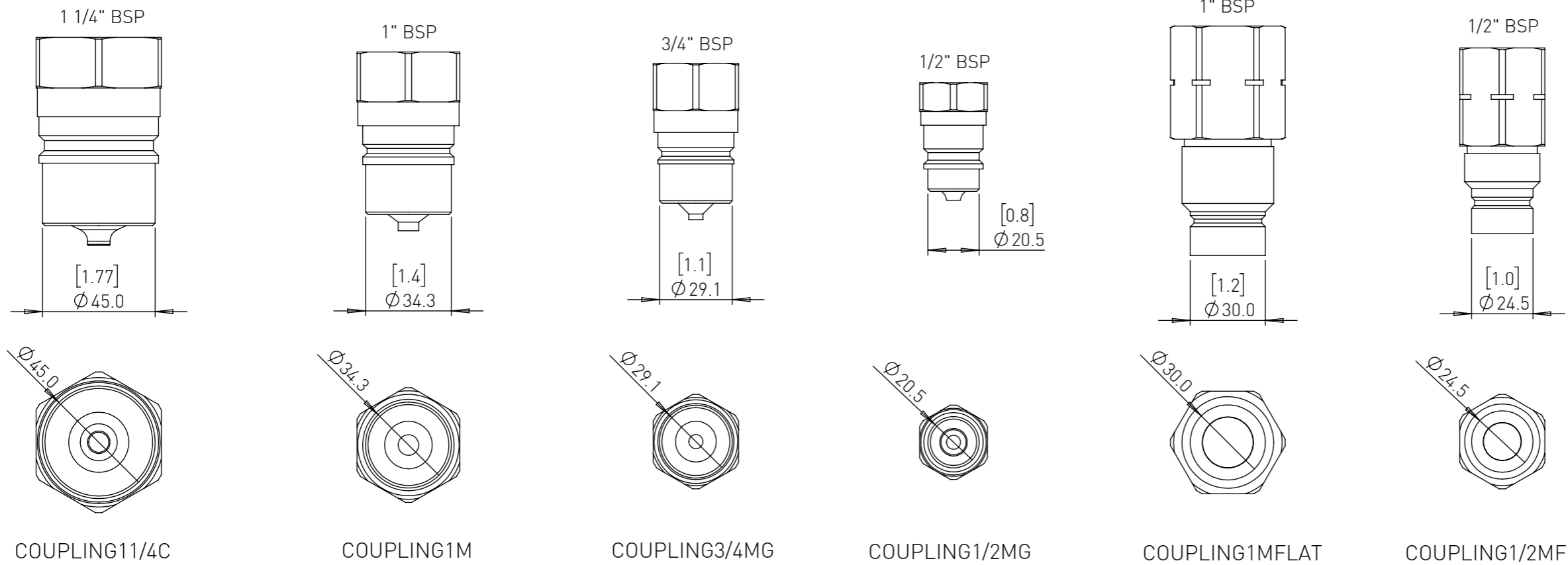
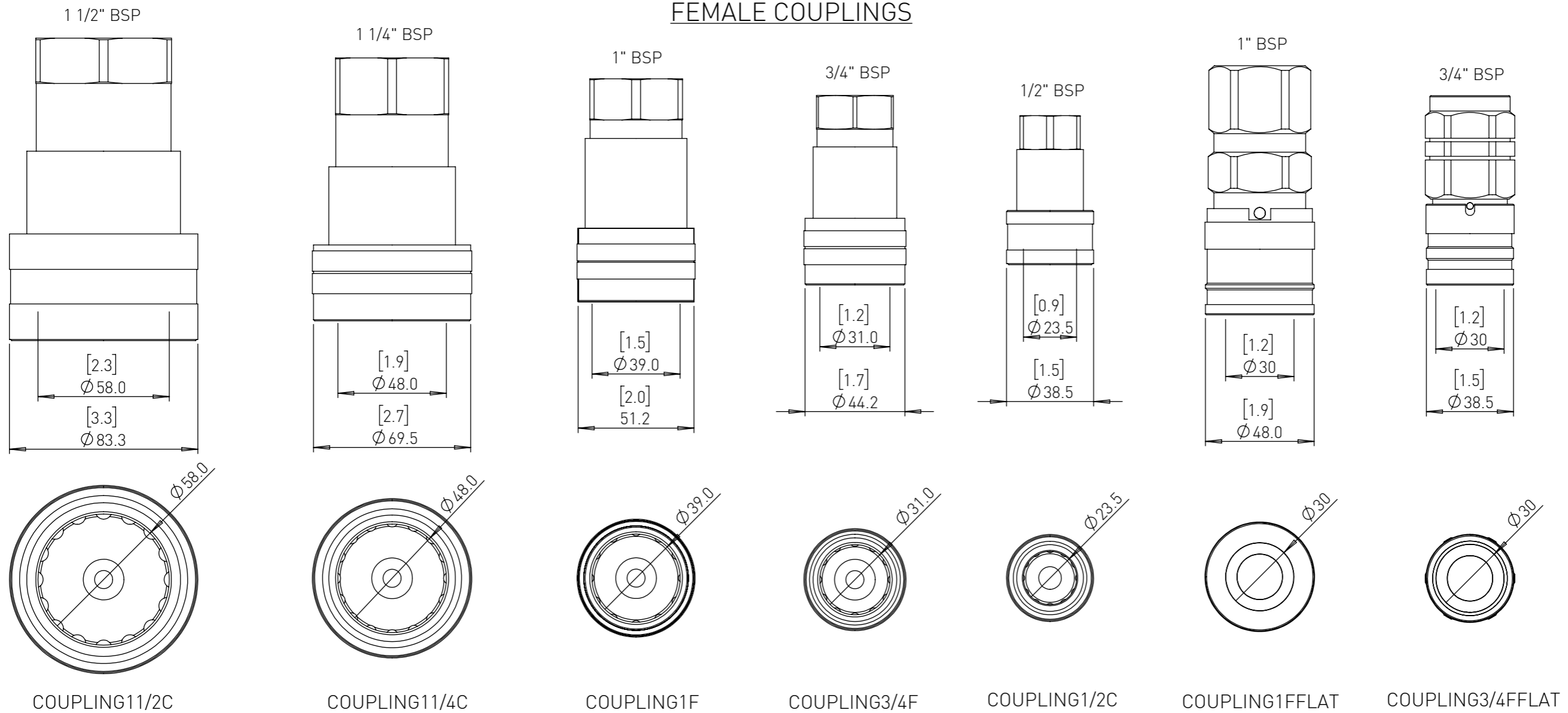


MALE COUPLINGS



FEMALE COUPLINGS



REVISIONS		
REV	DESCRIPTION	DATE
-	FIRST ISSUE	29.03.21

DRAWING APPROVAL BY OD/WM

SIGNATURE

INITIALS DATE

FEEDBACK/COMMENTS

ADDITIONAL INFORMATION

Drawing No. **13753**

Drawing Title
WETKIT - COUPLING RANGE

DRAWN REG
 DATE 29/03/21
 SCALE 1:2 @ A3
 REVISION 0

VEHICLE SPECIFICATION

CHASSIS

WHEELBASE

AXLE CONFIG.

MODEL

EURO 6

CAB

This drawing is for guidance only and is not a legal agreement. Chassis details may vary, always refer to the body builders manual. Tolerances +/- 1mm. If in doubt, ASK! *Do not scale off this drawing* *Uncontrolled when printed*