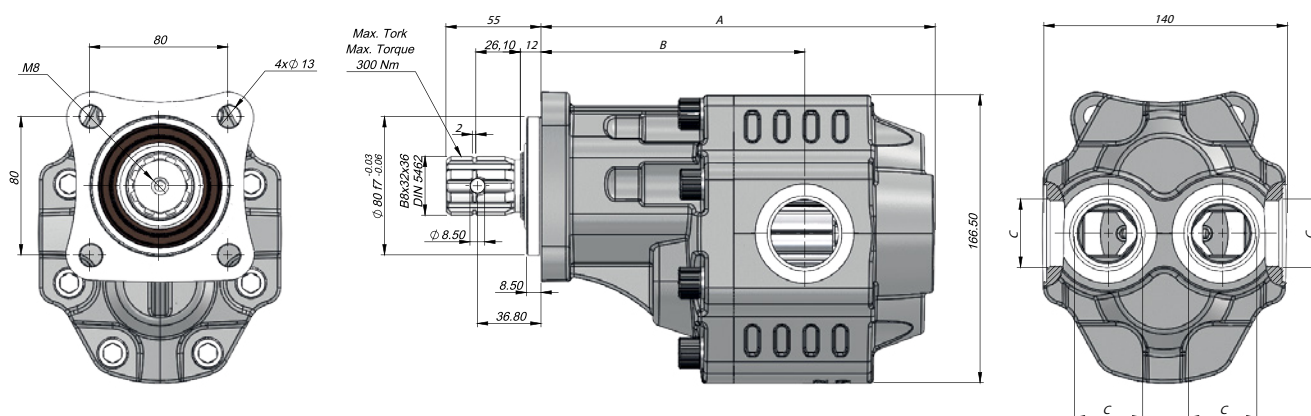


4 Hole ISO Bi-Directional Gear Pumps

Models from 60cc to 110cc,

With suction fitting

Inlet Pressure		0.7÷ 3 bar	
Operating Viscosity Range		-12:100 cSt	
Fluid Temperature		-40 °C+145 °C	
Working Pressure	Contamination		Filter
	NAS 1638	ISO 4406	$\beta_x=75$
≥200 bar	11	20/17	25 μ m
≤200 bar	12	21/18	40 μ m



Code	Displacement	Max. Continuous Pressure	Min.Speed	Max.Continuous Speed	A	B	Inlet	Outlet
BD	(cm ³ /rev)	(100%)(BAR)	(RPM)	(RPM)	(mm)	(mm)	C	C
33506051	60	250	300	1800	205	146	G1"	C
33508251	82	240			214	148		
33509051	90	230			218	152	G1 1/4"	
33510051	100	220			218	152		
33511051	110	205			230	154,5		