

Harsh Limited
The Industrial Estate, Full Sutton, York, YO41 1HS
Tel: 01759 372100 Fax: 01759 371414
email: harsh@harshuk.com

FLIP 'N' GO (steel) - ELECTRIC PARTS BOOKLET

Please consult Harsh if any issues arise as parts manuals are subject to change without prior notice.

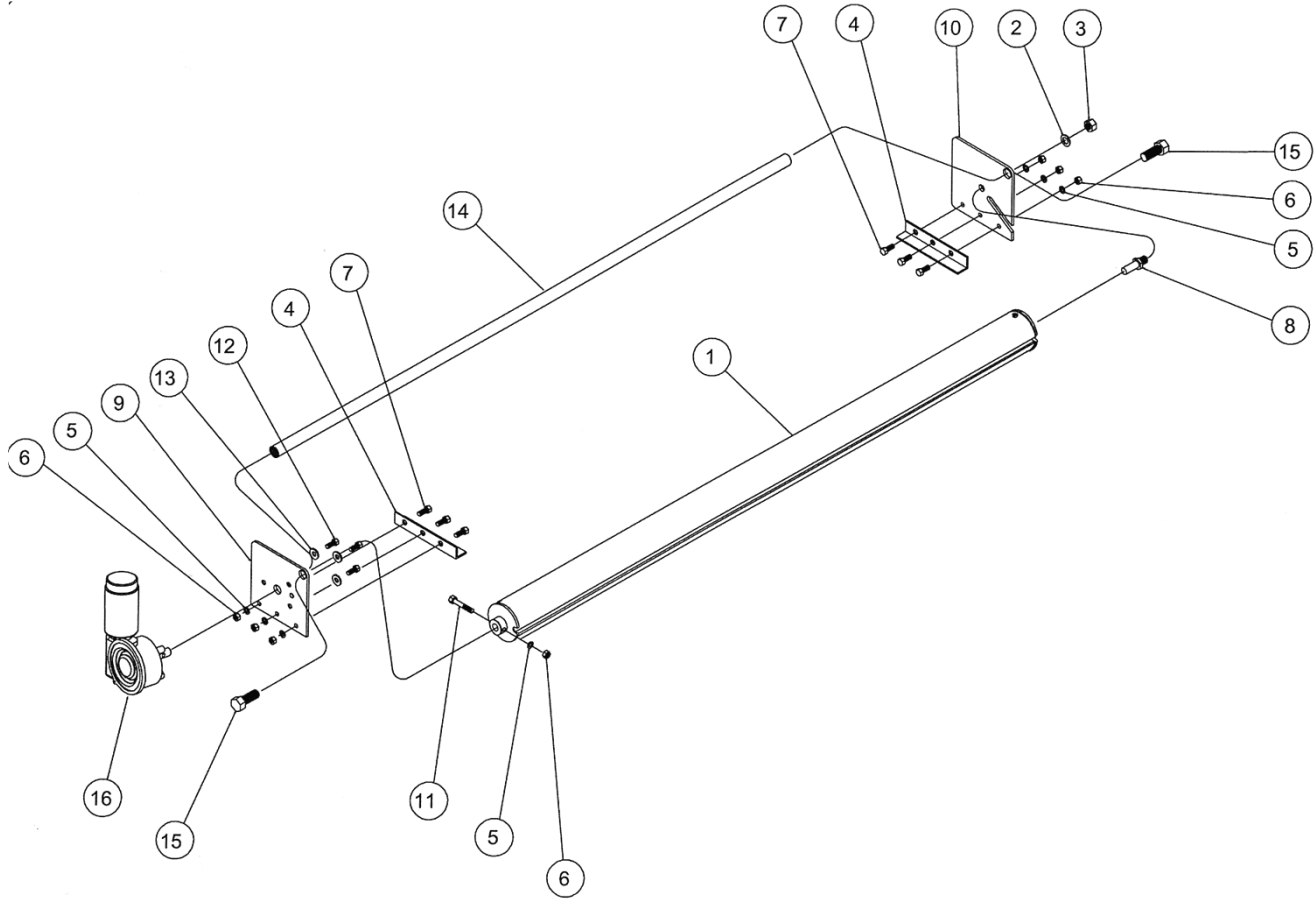


FM 13737

HARSH[®]
www.harshuk.com

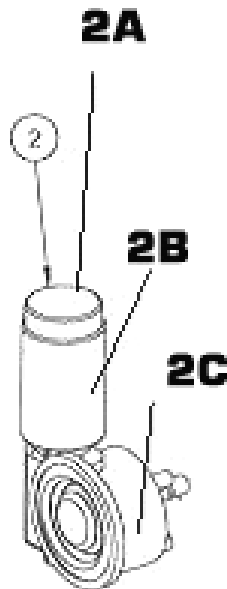
Registered office as above. Registered in England No. 2168135. VAT Reg. No. 475 4892 00

Assembly Breakdown Galvanised Roller Only



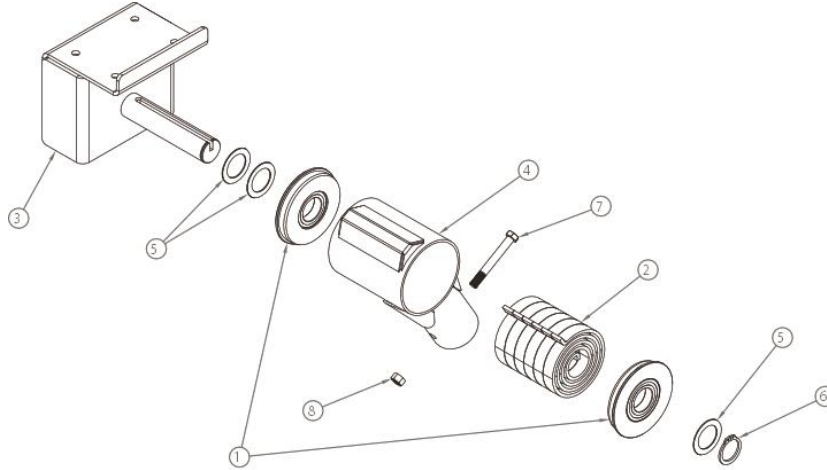
ITEM	PART#	DESCRIPTION	HARSH STOCK CODE	QTY
1	501-1310	Roller Tube Assy 96, 100" Long (they cut down if too long)	YROLLERGALV	1
2	505-5001	1/2" An flat washer		1
3	504-5001	1/2" - 13 Crimp nut		1
4	501-1526	Open System Mount Brkt	See Item 10	2
5	505-2502	1/4" Flat Washer Uss		7
6	504-3103	5/16" - 18 Nyloc Nut	See Item 10	7
7	503-3104	5/16" - 18 x 3/4" Lg. Carriage Bolt	See Item 10	6
8	501-0801	System End Plate Stud 2.4"	YROLLERSTUD	1
9	501-0221	9" Open End Plate, Electric (driver Side)	YROLLERPLATE- MOTORMNT	1
10	501-0220	9" Open End Plate, (passenger side)	YROLLERPLATE-PLAIN	1
11	503-3108	5/16" - 18 x 1 3/4" lg. HHCS Bolt		1

12	503-3103	5/16" – 18 x 3/4" lg. HHCS Bolt		3
13	505-3102	5/16" Lock Washer		3
14		NON UK		
15		NON UK		
16	517-0906	24V DC Electric Motor	XMOTORDDRIVEORIDE	1
17A		Shield Steel (Wind Deflector) Need A&B together	XSHIELD1/4	2
17B		Shield Adapter Brackets	XSHIELDADAPT	2



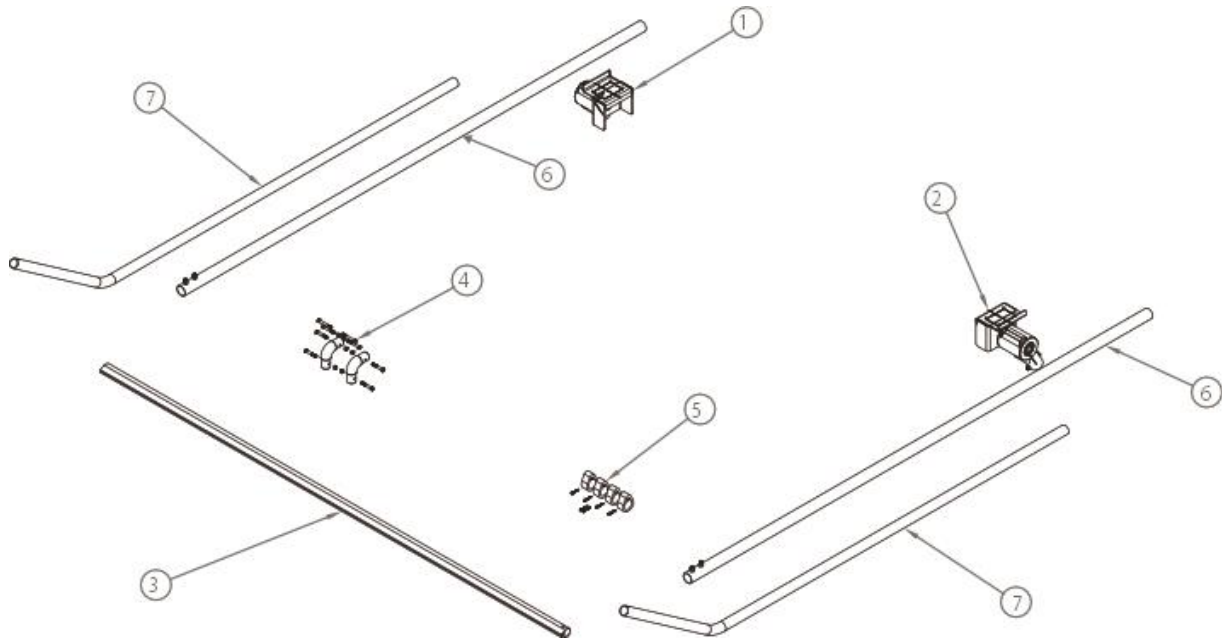
Part#	DESCRIPTION	Stock Code		Qty
517-0906	24V DC Electric Motor/ XMOTORDDRIVEORIDE	2A	XMOTOR-D-ENDBELL	1
		2B	XMOTORDIRECTONLY	1
		2C	XMOTORDDG/BOX	1

Gen 3 Under body Mount Spring Assembly (LH Shown)



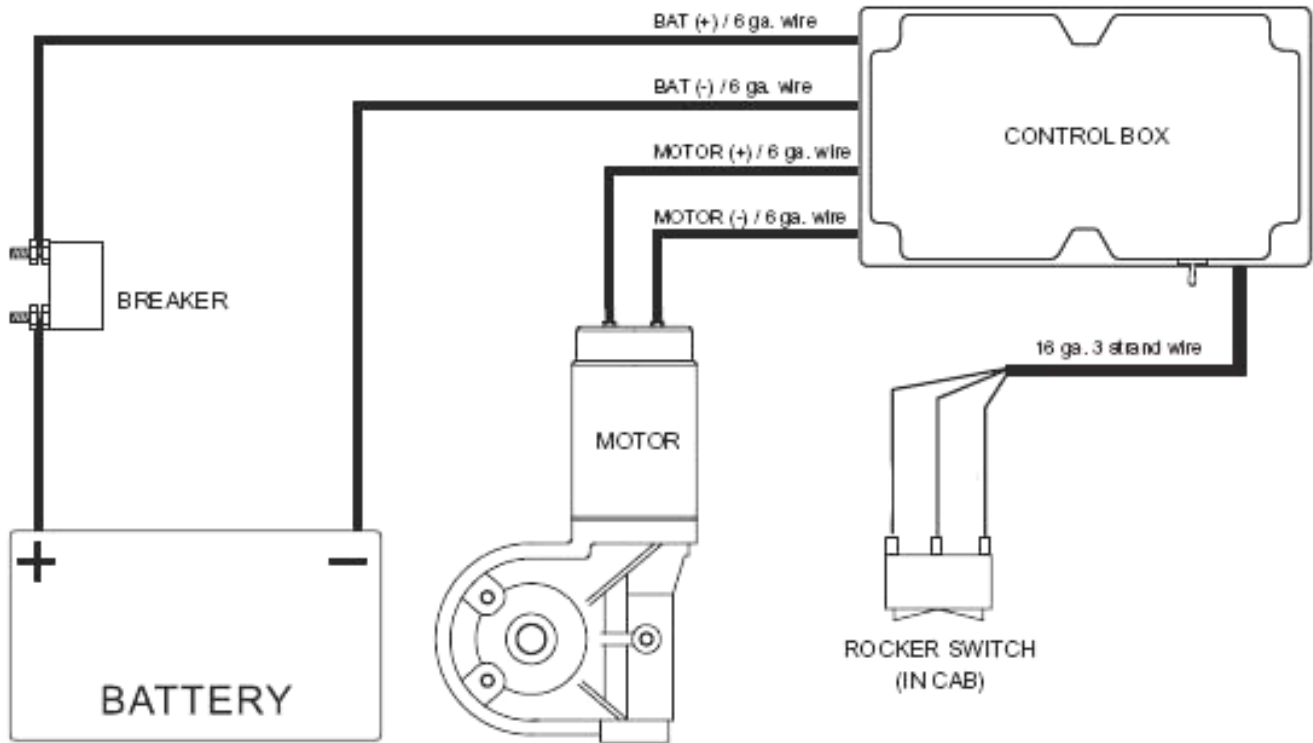
ITEM	PART#	DESCRIPTION	HARSH STOCK CODE	QTY
1	501-2116	End Cap with Bearing	YSPRINGASSEMBLY-LH-UB-GEN3 YSPRING-GEN3 (spring only)	2
2	517-9966	Spring, Underbody Arm System		6
3	501-2108	Underbody Pivot Mount Assy		1
4	501-2106	6 Spring Housing Assy		1
5	501-1162	Washer 1-7/8x1-1/4 Narrow Rim		3
6	506-0101	1 1/4 Snap Ring		1
7	503-3712	3/8-16 x3" HHCS Bolt		1
8	504-3702	Nut 3/8-16 Hex Nut Nyloc Zinc Plt		1

Arm Breakdown



ITEM	PART#	DESCRIPTION	HARSH STOCK CODE	QTY
1	501-2110	Gen 3 Underbody Spring Assy LH	YSPRINGASSEMBLY-LH-UB-GEN3	1
2	501-2109	Gen 3 Underbody Spring Assy RH	YSPRINGASSEMBLY-RH-UB-GEN3	1
3	501-1202	Devo Flip Crossbar	YARMCROSSBAR-DEVO1	1
4	501-1251	Devo Flip Cast Corner for Top Arm	YARMTOPCORNER-DEVO1	2
5	501-1234	1½ Pipe & Washers, Jubilee Clips, Red End Caps	YBUFFERKIT-DEVO1	1
6	501-1201	Devo Flip Lower Arm Galvanised	YARMLOWER-DEVO1	2
7	501-1205	Devo Flip Top Arm	YARMTOP-DEVO1	2

Electrical Setup on FNG Electric (steel)



Item Description	Harsh Stock Code
24V Motor & Gearbox Complete	XMOTORDDRIVEORIDE
24V Motor Only	XMOTORDIRECTONLY
Gearbox 90:1 to suit 24v Direct Drive Motor	XMOTORDDG/BOX
Solenoid Box/Pack or Control Box	XSOLENIOD-PACK-CAE
Thermal Circuit Breaker	XBREAKER
In-Cab Dash Switch	XSWITCH-DASH
Manual reset Breaker in Control box	XSWITCH-RESET40A