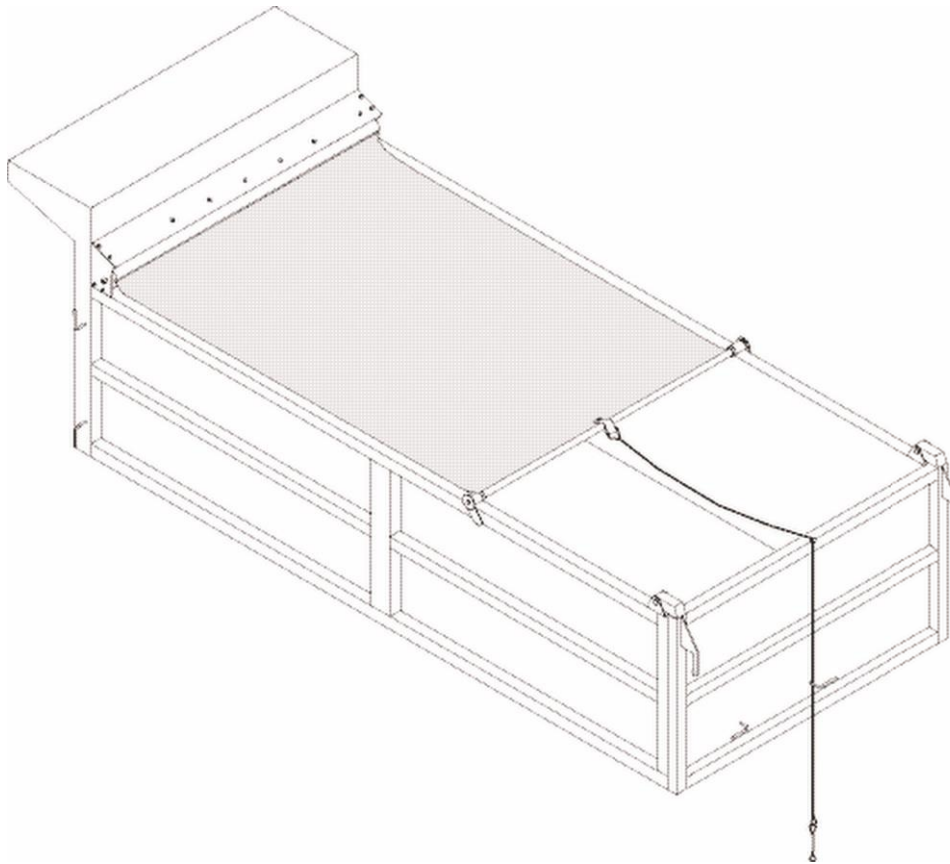


Harsh Limited
The Industrial Estate, Full Sutton, York, YO41 1HS
Tel: 01759 372100 Fax: 01759 371414
email: harsh@harshuk.com

PULLTARP

INSTALLATION & OPERATORS MANUAL



FM 13737

HARSH®

www.harshuk.com

Registered office as above. Registered in England No. 2168135. VAT Reg. No. 475 4892 00

Step 1. Mounting Positions

Determine the mounting position for your truck Fig. 1 - Fig. 7.

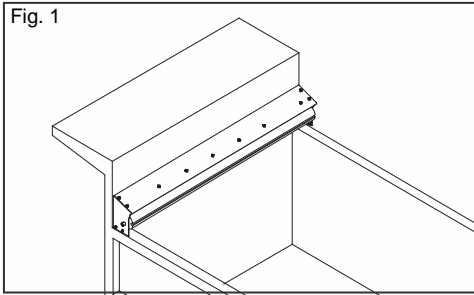


Fig. 1

"A" Mount Top Or Bottom Roll

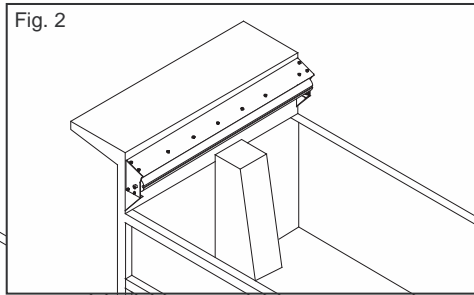


Fig. 2

"B" Mount Top Or Bottom Roll

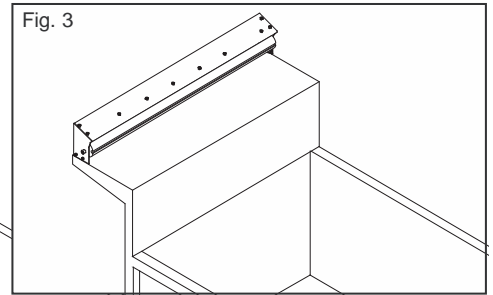


Fig. 3

"C" Mount Top Or Bottom Roll

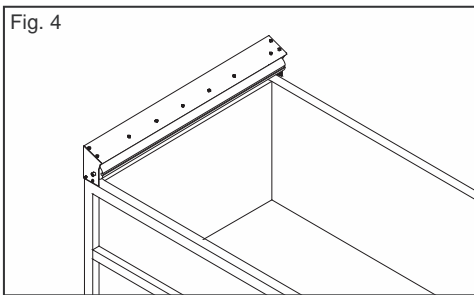


Fig. 4

"D" Mount Top Or Bottom Roll

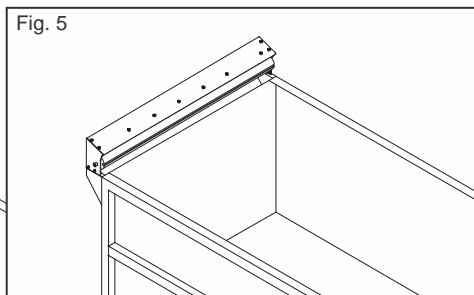


Fig. 5

"E" Mount Top Or Bottom Roll

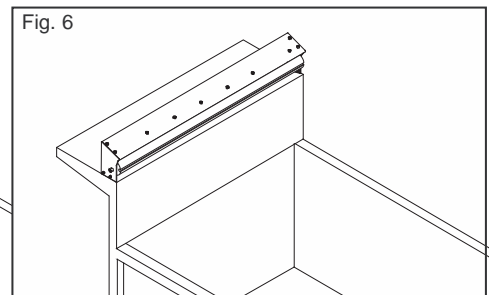


Fig. 6

"F" Mount Top Or Bottom Roll

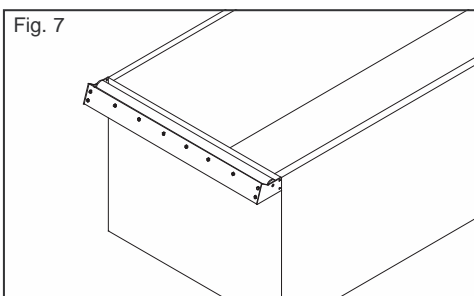
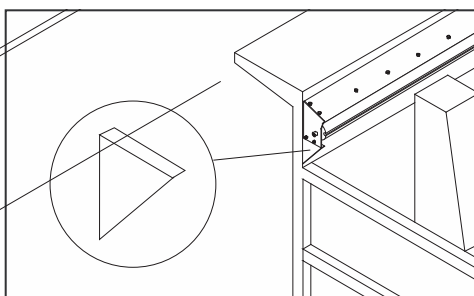


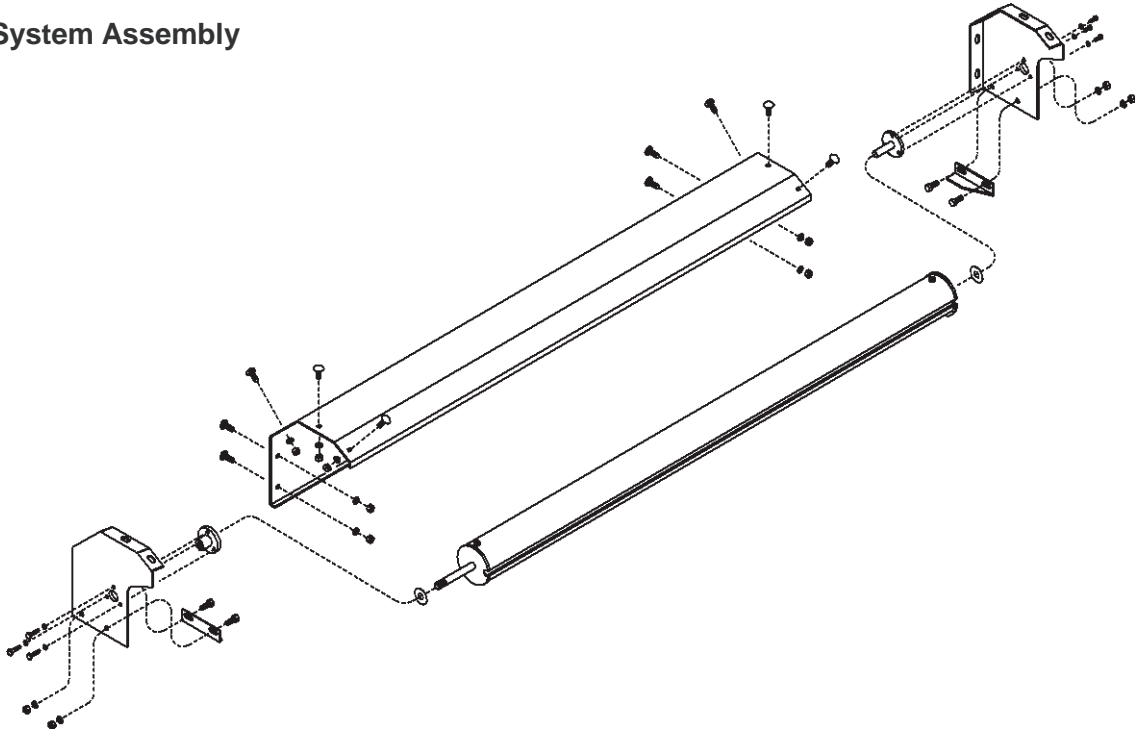
Fig. 7

"G" Mount Top Roll Only



"B" Brackets
 NOTE: Use optional "B" Brackets when mounting in position "B" and "E".

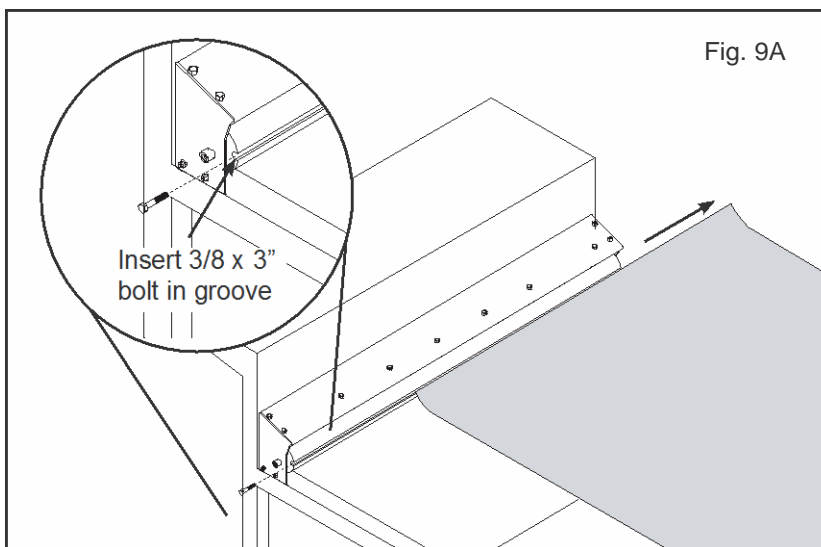
System Assembly



Step 2A. Remove Tarp Before Welding

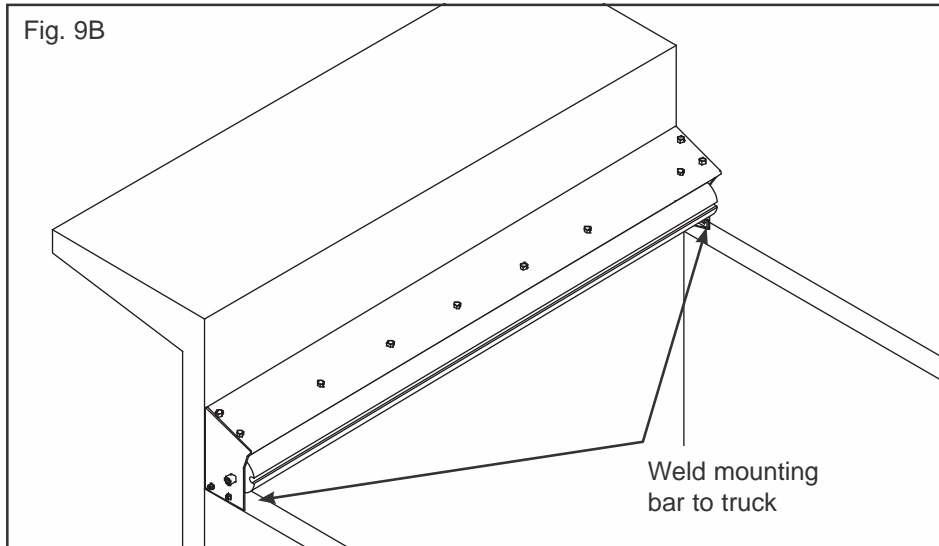
Before welding remove tarp to avoid damage (Fig. 9A)

To remove tarp, pull the tarp all the way out over the tailgate. Insert 3/8" x 3" bolt into groove on roller tube making sure the bolt head rests against front edge of end plate. This will lock spring tension in roller tube. Slide tarp out of roller tube and away from work area.



Step 2B. Weld System To Truck

Weld system mounting bar to truck as shown in Fig. 9B.

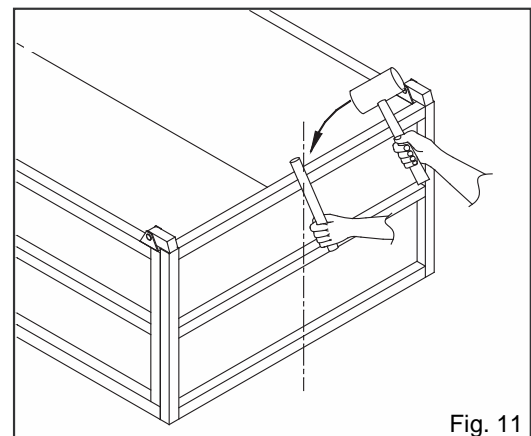
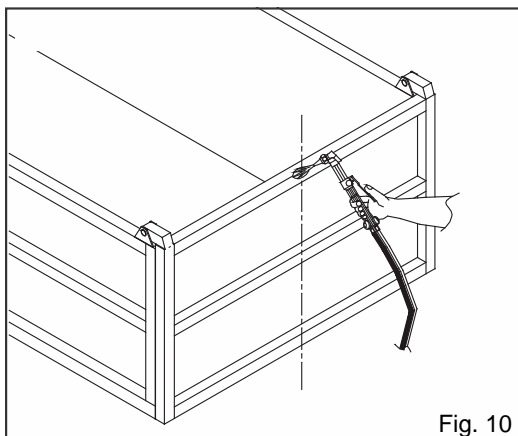


Step 3. Dimple Tailgate for Rope Guide

Check the top of the tailgate where your tarp goes over for any obstructions that may interfere with the tarp lying flat all the way across the tailgate area.

WARNING: Sharp Edges May Cut Tarp.

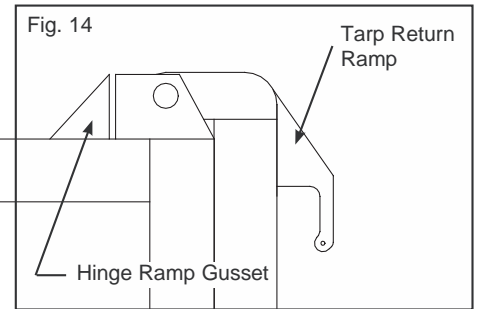
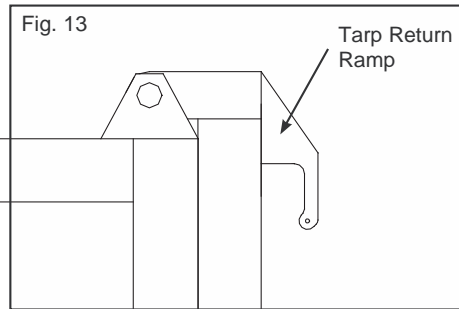
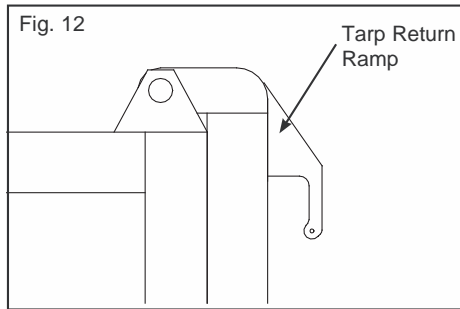
Measure tailgate to find centre and mark. Heat at mark with torch until area is red hot. Use a 3/4" diameter solid bar and lay it on the spot and strike it a few times. A smooth indentation should be left that will keep the rope centred. (Fig.10) & (Fig.11)



Step 4. Weld on Tarp Return Ramps

The Tarp Return Ramps hold the pullrod in place once the tarp has been deployed. The ramps should be welded as high as possible.

See (Fig.12 & Fig.13 for your application). Make sure all rough edges are ground smooth. If you have a raised hinge you will need to add a Hinged Ramp Gusset (NOT SUPPLIED) see (Fig.14).



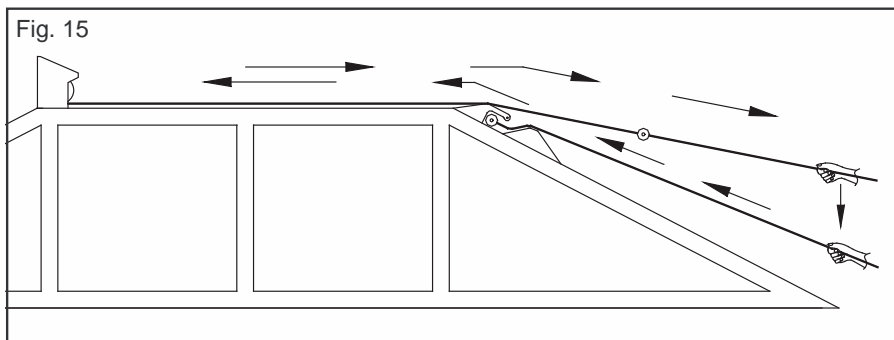
Step 5. Tarp Return Ramps for Belly Dumps

All belly dumps require special tarp return ramps. If you are not sure which type to use, call us at HARSH 01759 372 100 for technical support.

Jump Ramp

On longer single units, you are too far from the return ramp to unlatch the Pullrod by hand so we developed the easy to operate Jump Ramp (Fig. 15). Pull the tarp out all the way.

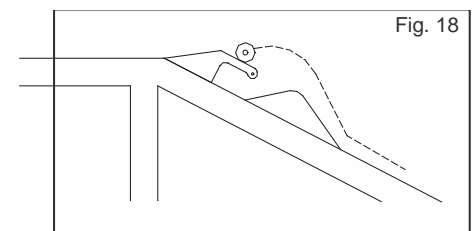
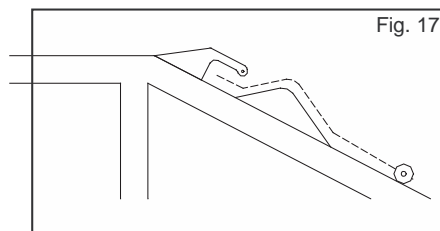
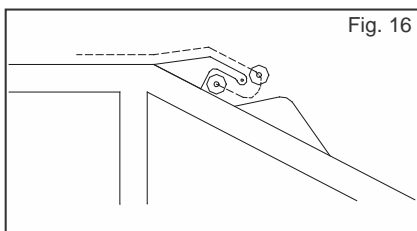
Lower your arm. Release some rope slowly and allow the Pullrod to slide forward and drop down into the Tarp Return Ramp.



1. Pull out and hook. (Fig. 16)

2. To retract, pull the Pullrod up over the jump-ramp gusset and down a few inches. (Fig. 17)

3. Release a few feet of rope quickly and the spring in the roller will cause the Pullrod and tarp to jump over the return ramp and retract back to the system. (Fig. 18)



On long belly dumps with short vertical sideboards, use the finger tarp return ramps. Weld the provided gussets to the box to create a Pullrod jump ramp. (Fig. 19)

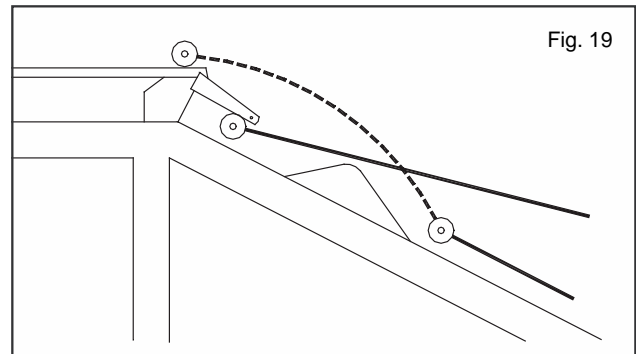


Fig. 19

On short belly dumps, pull the tarp all the way out. Raise and lower to hook and unhook the Pullrod over the finger tarp return ramps (Fig. 20)

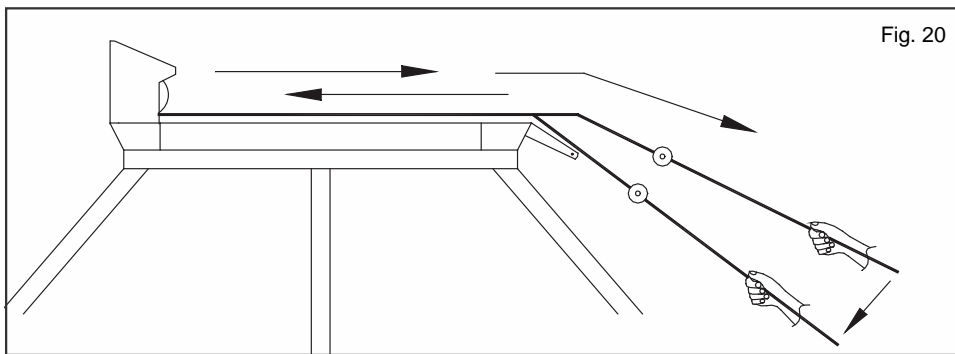


Fig. 20

Step 6. Re-install Tarp

Before you re-install your tarp on the roller, make sure the roller has not lost its spring tension. If the roller is still locked with the locking bolt, the tension should have been maintained. Slide the front end of tarp (with beaded rod) into the slot of the roller from the opposite side of the locking bolt.

If needed, lubricate the edge of the tarp with soapy water so it will slide into the roller slot easy. After the tarp is in place, make sure that it is centred on the roller with an equal amount of space on each end, and that the bead tubing is also equally spaced. Secure tarp and pullrod to tailgate with the pullrope. Hold the roller with one hand and remove the locking bolt with the other. Release pullrope from tailgate and cycle the tarp 2 or 3 times. This will ensure the tarp rolling up straight. If the tarp rolls up consistently off to one side or the other, you can offset the tarp to the opposite side on the roller to start with, this way the tarp will roll up as centred as possible. If you have side flaps or tie downs proceed to steps 8 or 9.

The roller comes pre-loaded from the factory. Should the roller lose tension for any reason during installation, you must pre-load the spring mechanism again before installing the tarp.

IF ROLLER HAS LOST SPRING TENSION

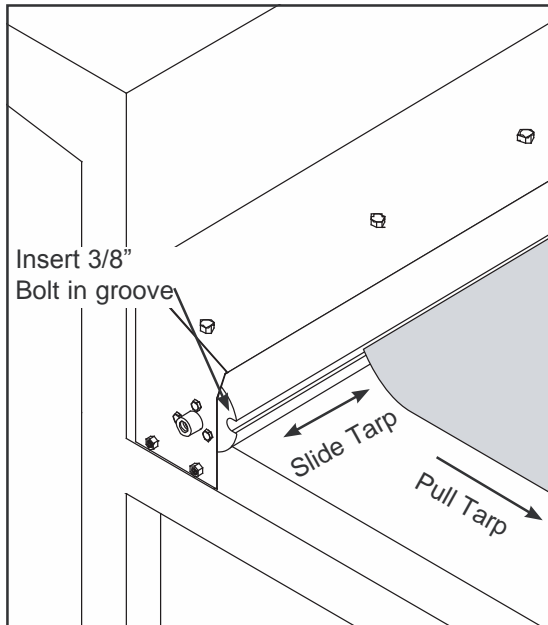
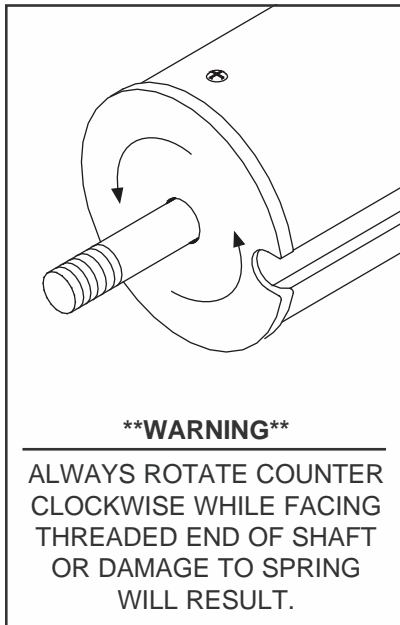
1. Locate the threaded end of the roller shaft.
2. Rotate roller tube counter clockwise by hand 4 to 5 times until you feel some spring resistance.
3. Count the number of turns from that point.

Approximate Pre-load Turns

	4M	5.5M	7.5M
Tarp Length	13Ft.	18Ft.	25Ft.
Turns	25/30	30/35	35/40

Flaps (Longer tarps with flaps may require an additional 5 to 10 turns)

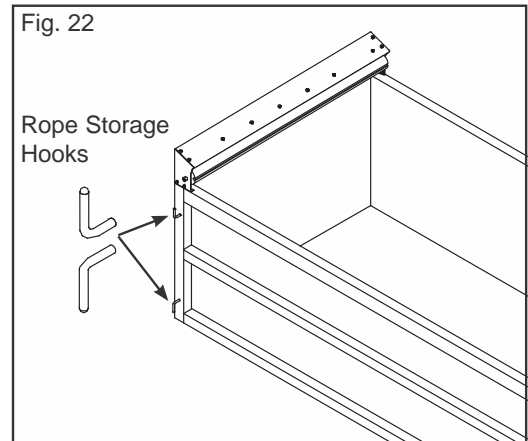
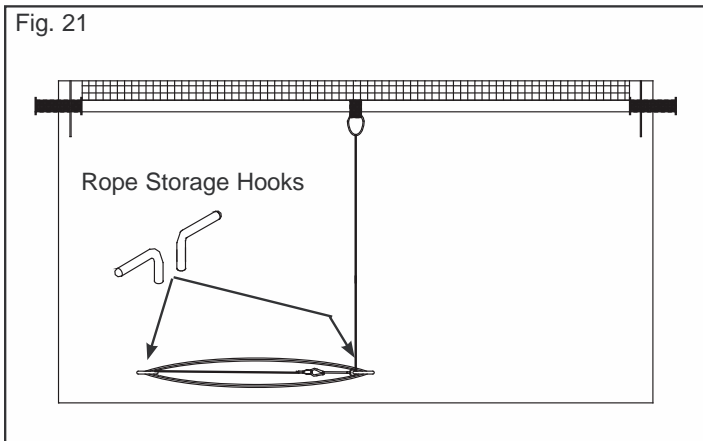
4. If the tarp doesn't wind up all the way add 5 turns at a time until tarp winds up completely. If the tarp still won't wind up after 60 turns, call 01759 372 100 for technical assistance.



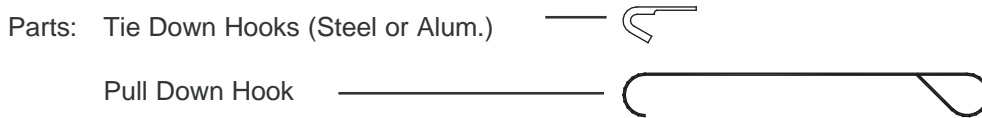
Step 7. Rope Storage Hook Installation

Mount the rope as low as possible. The rope should come straight down and wrap around the centre hook and then coil off to the side (Fig.21). When tarp is not in use, space the hooks far enough apart to store the full length of rope (Fig.22).

Note: Tarp must be retracted when dumping.



Step 8. Optional Tie Down Rope, Rope and Hook Installation



The Location Of The Tie Down Hooks Is Critical !

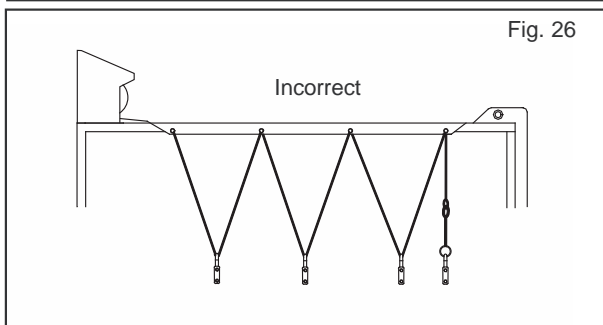
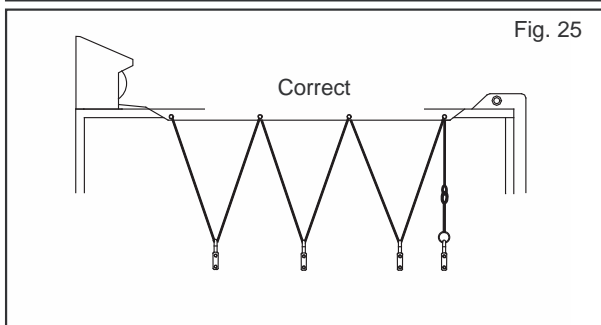
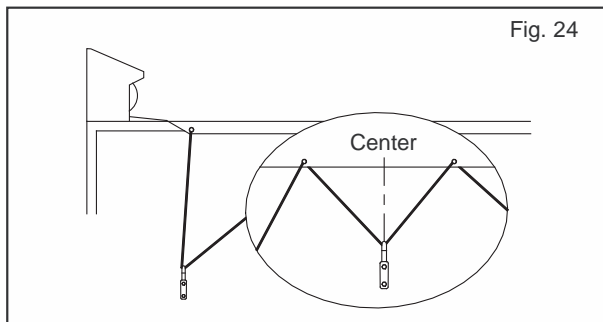
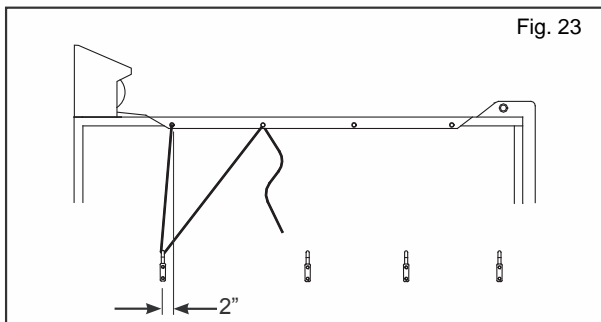
Flip the braided rope over the corner so that the rope and tie down flaps hang over each side of the box. The number of tie down hooks vary depending on the length of your tarp. One pull down hook is included with your Pulltarp system. If needed. Use the hook to pull the braided rope and tie down flap over the side of the box.

The tie down hooks must be positioned so that:

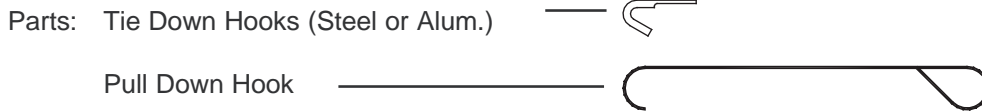
- The tie down rope can be reached from the ground.
- The bungee cord has to be stretched to reach the last hook (see step 9).
- The rope has no slack.
- The tie down hooks are level with one another.

To ensure proper hook placement, first duct tape the rope to the box in place of the tie down hooks. Start with hook closest to the cab.

- Position the first hook 2" (5.08cm) forward of first tie down (Fig.23).
- Position middle hook between tie downs (Fig.24).
- Position last hook at the end of the box (Fig.25).
- Weld hooks in place level with one another.



Step 9. Optional Flap Tarp, Rope and Hook Installation



The Location Of The Tie Down Hooks Is Critical !

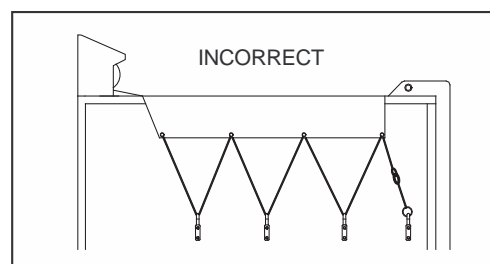
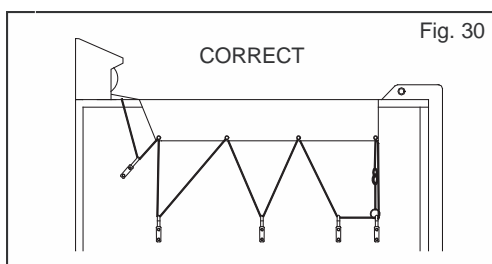
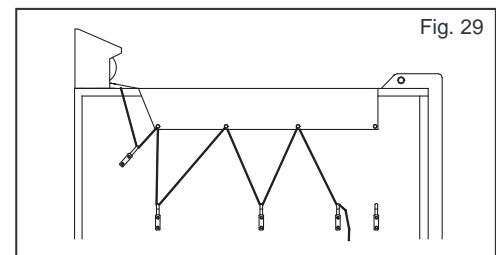
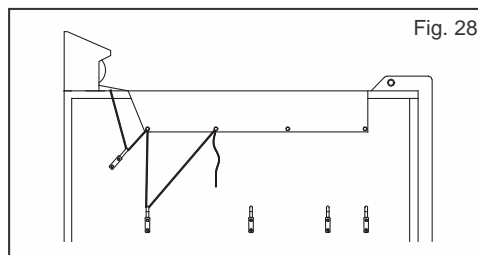
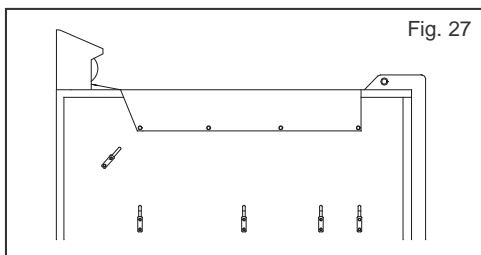
Flip the braided rope over the corner so that the flaps and tie down ropes hang over each side of the box. The number of tie down hooks vary depending on the length of your tarp. One pull down hook is included with your Pulltarp system. If needed. Use the hook to pull the braided rope and flap over the side of the box.

The tie down hooks must be positioned so that:

- The tie down rope can be reached from the ground.
- The bungee cord has to be stretched to reach the last hook (see step 9).
- The rope has no slack.
- The tie down hooks are level with one another.

To ensure proper hook placement, first duct tape the rope to the box in place of the tie down hooks. Start with hook closest to the cab.




- Position the first hook 6" (15.24cm) down and 12" (30.48cm) forward (toward the cab) from the first grommet (Fig.27).
- Position 2nd hook straight down from 1st grommet. This hook should be reached from ground (Fig.28).
- Place middle hooks equal distances from grommet (Fig.29). These hooks should be placed at the same height as the second hook.
- Position last hook (closest to the tailgate) below the last grommet at the same height as the others (Fig.30).
- Weld hooks in place.



Step 10. Bungee Cord Installation

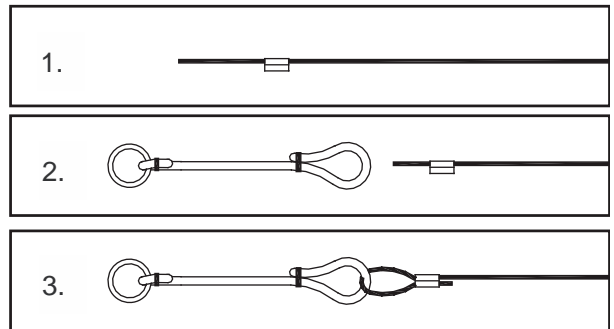
After side hooks are installed, the tie down rope must be installed and cut to proper length. It is important to get all of the slack out of the rope to prevent blowing and rubbing of flaps in windy conditions.

Parts:

- 2 Bungee Cords 
- 2 Oval Compression sleeves 
- 1 Snap Clip 

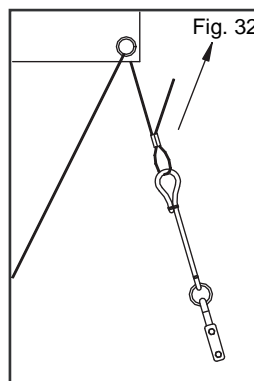
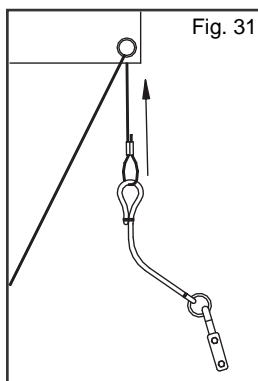
Connect Bungee Cord to Rope

1. Thread braided rope through Oval Compression Sleeve.
2. Feed rope through the eye of the bungee cord.
3. Thread the rope back through the oval compression sleeve. Adjust for proper length. Crimp compression sleeve.



Tarps with Tie Downs

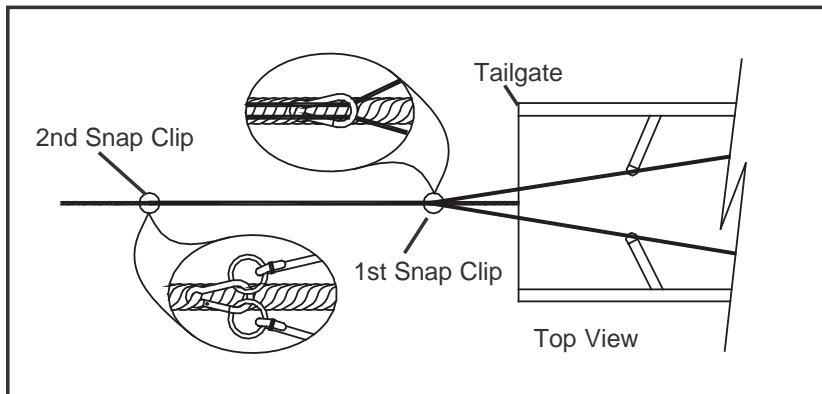
To tighten, pull loose end of rope through the Oval Compression Sleeve (Fig.31). Stretch the bungee cord making sure all slack is taken out of the rope, crimp compression sleeve (Fig.32).



Snap Clip installation

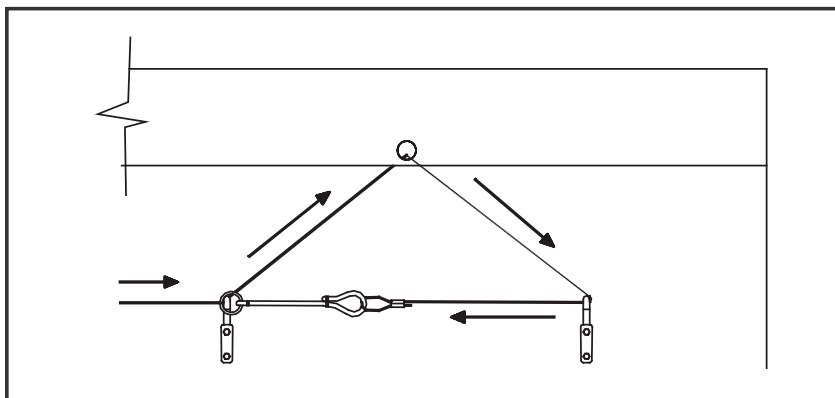
Flip the rope back on top of the tarp, making sure to hold the bungee at all times. The first snap clip is factory installed 5" from the pullrod. Open the clip and enclose the rope. Weave the second clip through the main pullrope where the ends of the bungee cords meet the main pullrope. Make sure the rope is taught when clipped.

NOTE: First snap clip should not be used on long wheel base belly dumps.

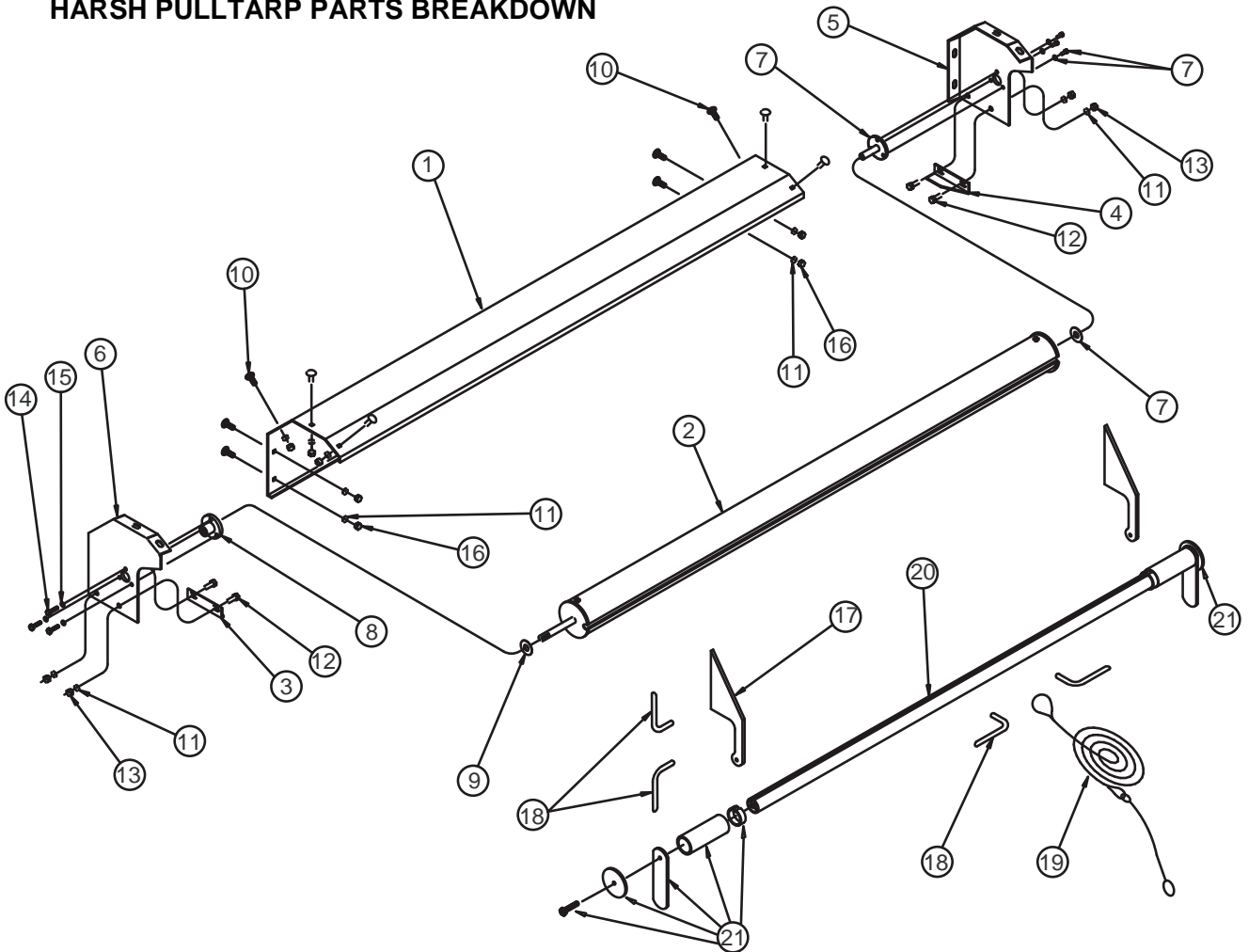


Excess Rope

You may need extra rope to keep the side flap system ground operated. If your application requires extra rope, the slack needs to be taken up by attaching the end of the bungee cord to an alternate hook. (pictured below)



HARSH PULLTARP PARTS BREAKDOWN



HARSH Pulltarp – Load Climber

